

# Latch Header

## 8 6 4 7 SERIES

### Ratings:

Current	2A max.
Dielectric strength	600 VAC (MS) for 1 minute
Contact resistance	15mΩ max.
Insulation resistance	1000MΩ min.

### Material:

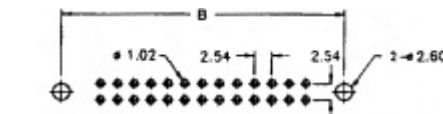
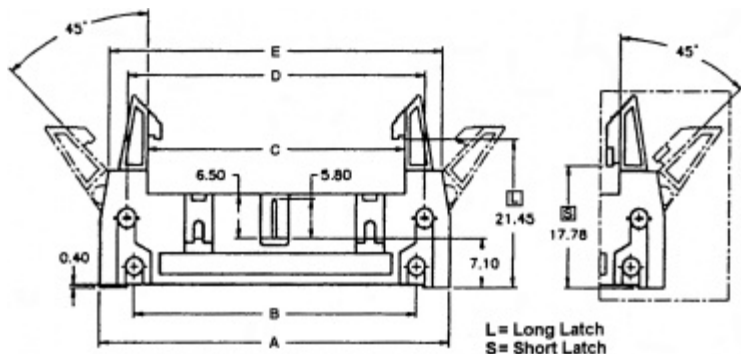
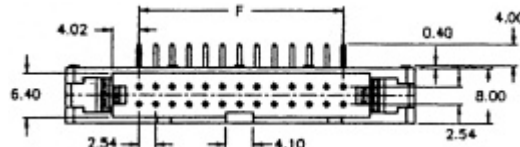
Plastic	PBT Glass-filled, UL94V-0
Contact	Phosphor Bronze
Temperature	-55°C / +120°C



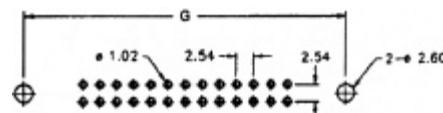
### Ordering Procedure:

1 - 2 - 3 - 4 - 5 - 6

- 1) Series:
- 2) Positions: (see chart)
- 3) Contact Type: R = Right Angle, S = Straight
- 4) Latch Type: N = None, L = Long, S = Short
- 5) Plating: 1 = Full Gold Flash, 2 = Selective Gold Flash, 3 = Selective 15m Gold\*, 4 = Selective 30m Gold\*  
\*May require minimums
- 6) Options: N/A



Right Angle PC Board Layout



Straight PC Board Layout

### Ordering Example:

8647 - 16 R - L 2

Positions	A	B	C	D	E	F	G
10	32.00	21.84	17.91	24.20	29.90	10.16	27.94
14	37.08	26.92	22.99	29.28	34.98	15.24	22.02
16	39.62	29.46	25.53	31.82	37.52	17.78	35.56
20	44.70	34.54	30.61	36.90	42.60	22.86	40.64
24	49.78	39.62	35.69	41.98	47.68	27.94	45.72
26	52.32	42.16	38.23	44.52	50.22	30.48	48.26
30	57.40	47.24	43.31	49.60	55.30	35.56	53.34
34	62.48	52.32	48.39	54.68	60.38	40.64	58.42
40	70.10	59.94	56.01	62.30	68.00	48.26	58.42
50	82.80	72.64	68.71	75.00	80.70	60.96	78.74
60	95.50	85.34	81.41	87.70	93.40	73.66	91.44
64	100.56	90.42	86.49	92.78	98.48	78.74	96.52

