

# Plastic Leaded Chip Carriers - Surface Mount

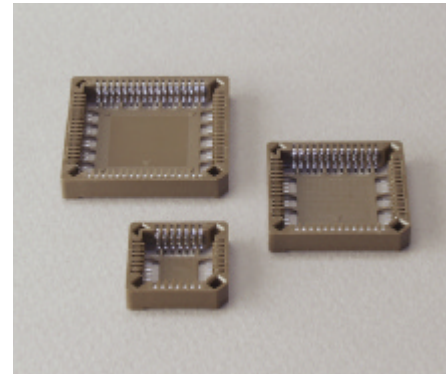
## 7 5 2 2 S S E R I E S

### Ratings:

Current	1A
Dielectric strength	600mVAC for 1 minute
Insulator resistance	5000M $\Omega$ Min.
Temperature (surface mount)	-55°C / +170°C (PPS)

### Material:

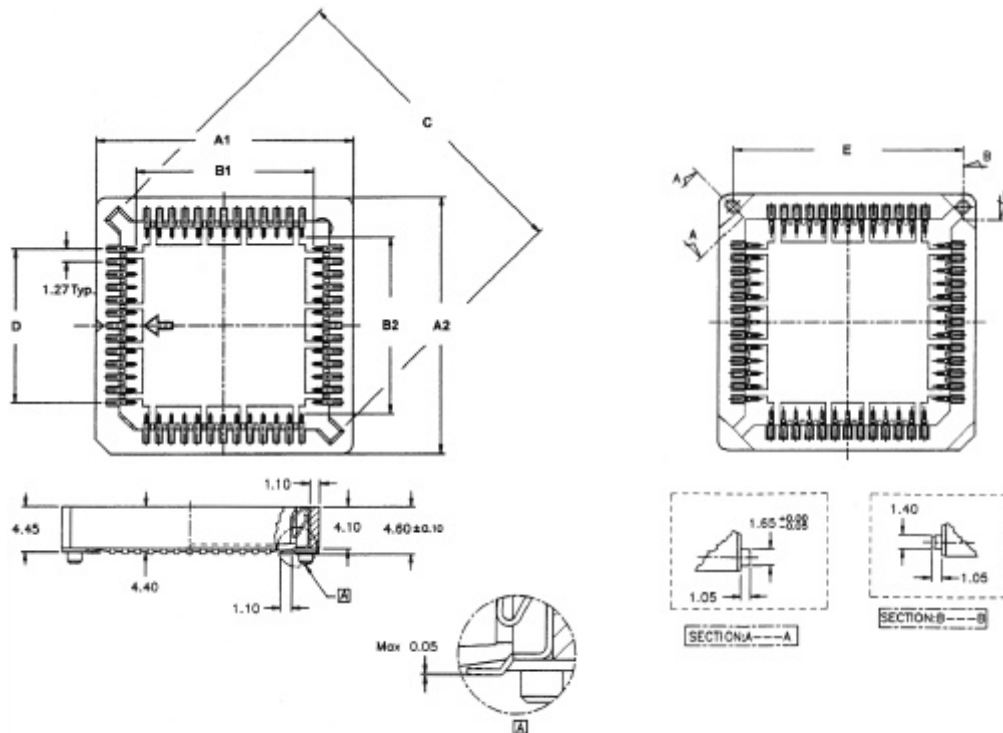
Insulator	PPS Glass-filled, UL94V-0 (SMT only)
Contact	Phosphor Bronze
Plating	Tin over Nickel



### Ordering Procedure:

1 - 2    3 - 4    5 - 6

- 1) Series:
- 2) Positions: (see chart for available positions)
- 3) Options:
  - 1 = Non-polarized
  - 2 = Polarized



### Ordering Example:

**7522S - 32 - 1**

No. of Positions	Dimensions						
	A1±0.2	A2±0.	B1±0.2	B2±0.2	C±0.2	D±0.2	E±0.2
20	14.86	14.86	7.26	7.26	15.83	5.08	12.70
28	17.40	17.40	9.80	9.80	19.24	7.62	15.24
32	19.45	16.90	12.35	9.80	21.67	7.62	12.88
44	22.48	22.48	14.88	14.88	27.10	12.70	20.32
52	25.40	25.40	17.50	17.50	30.76	15.24	22.86
68	30.54	30.54	22.50	22.50	37.60	20.32	27.94
84	35.56	35.56	27.62	27.62	45.13	25.40	33.02