

Modular Plug

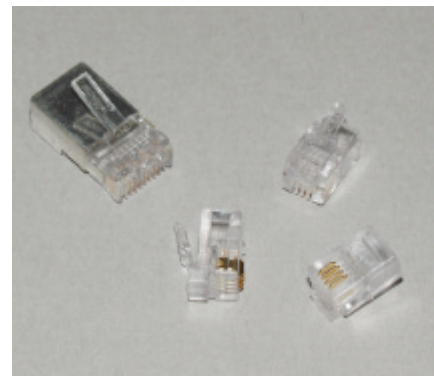
6 6 3 7 SERIES

Ratings:

Current	1.5A
Dielectric strength	1000V RMS for 1 minute
Contact resistance	20mΩ max.
Insulation resistance	10MΩ min.

Material:

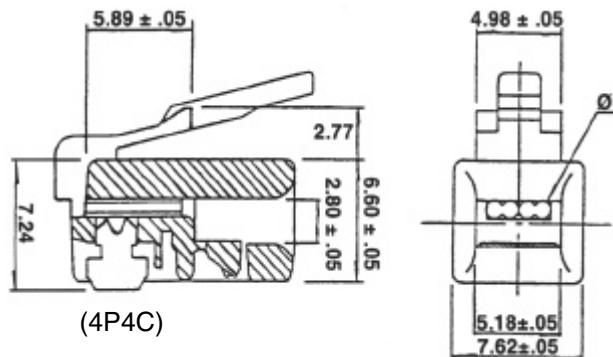
Plastic	Polycarbonate, UL94-V2
Strain relief	Polyester UL94V-0
Contact blade	High strength copper alloy, Gold plated over nickel



Ordering Procedure:

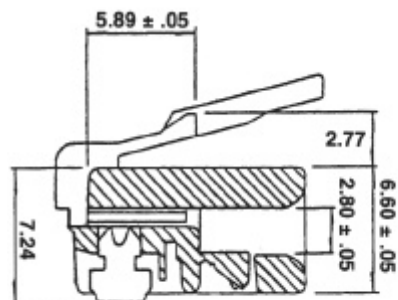
1 - 2 3 - 4 5 - 6

- 1) Series:
- 2) Positions: 4, 6, 8, 10
- 3) Contacts: 2, 4, 6, 8, 10
- 4) Plating:
 - 1 = Full Gold Flash
 - 2 = Full 10μ Gold
 - 3 = Full 30μ Gold*
 - 4 = Full 50μ Gold*
- 5) Options:
 - D = Digital (available only in 6 position)
 - M = Metal shield
 - S = Strain relief (available only in 6 position)

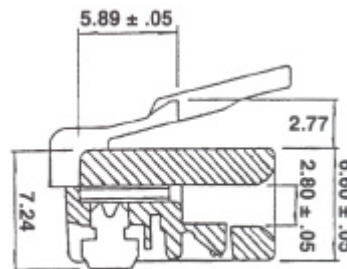
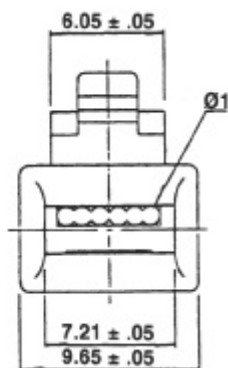


Ordering Example:

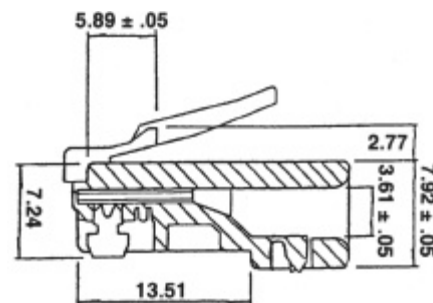
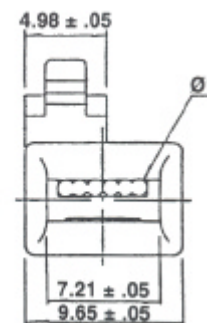
6637 - 6 6 - 1



(6P2C)
(6P4C)
(6P6C)

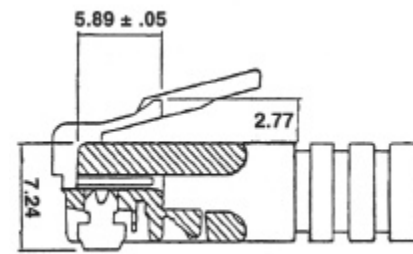
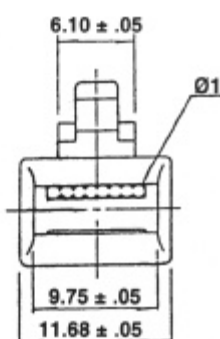


(6P6C)



(8P8C)
(10P10C)

Metal shield optional



(6P2C)
(6P4C)
(6P6C)

