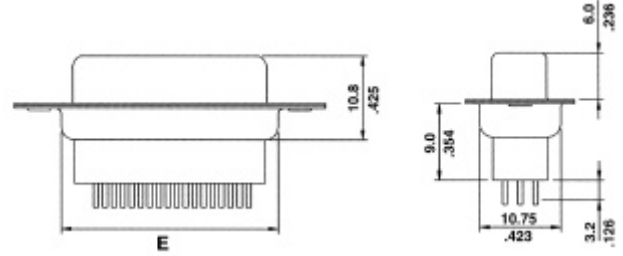
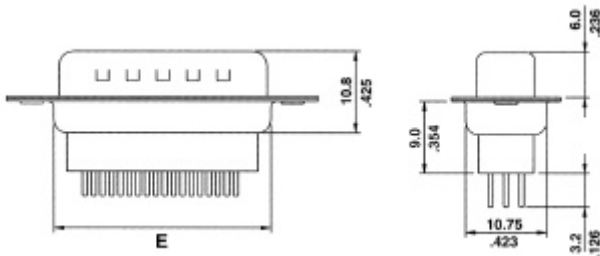
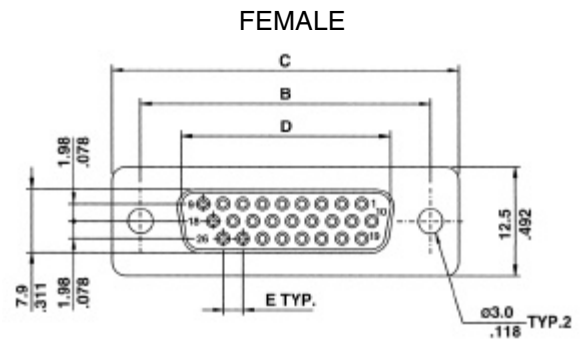
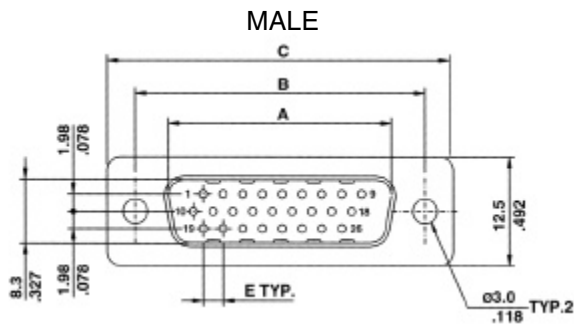
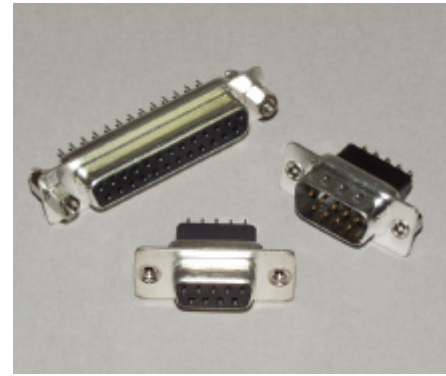


# PCB Straight D-Sub

3778V & 3778VH SERIES

## Series options:

- A = 4-40 Jack screws assembled on connector
- B = Board locks
- C = Clinch nuts (bottom side)
- J = 4-40 Jack screws (bulk packed)
- M = Machined pins
- T = Threaded inserts (top side)



## Ordering Example:

**3778V - 15P - 1T**

Positions	A	B	C	D	E
09	16.92	24.99	30.81	16.33	19.28
15	25.25	33.32	39.10	24.66	27.51
25	38.96	47.04	53.10	38.38	41.30
37	55.42	63.50	69.32	54.84	57.71
50	52.86	61.11	66.90	52.34	55.30