

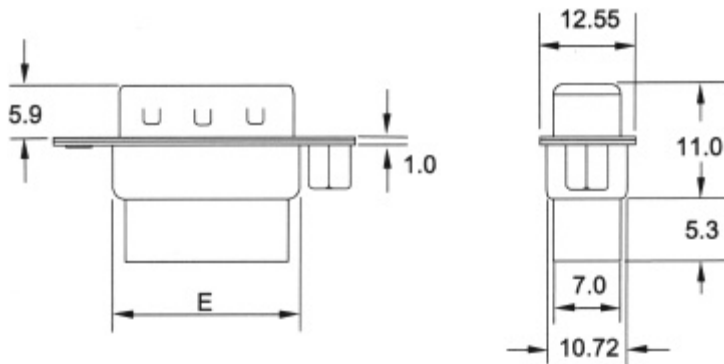
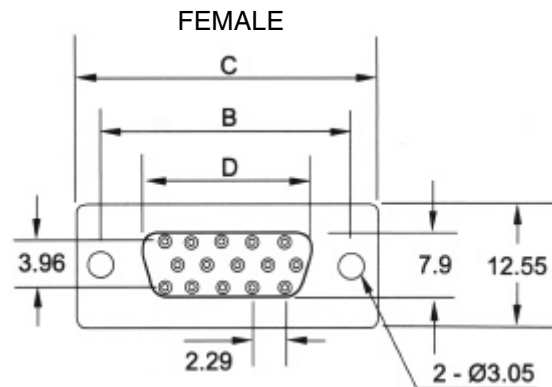
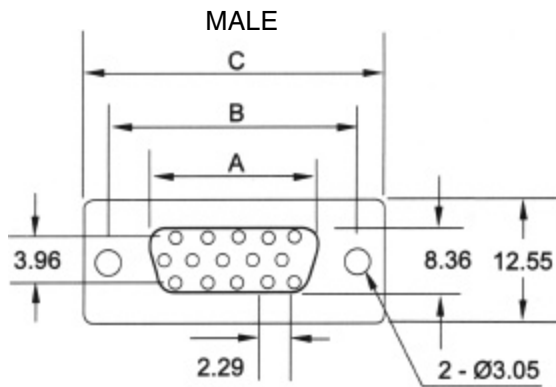
High Density Crimp and Poke D-Sub

3778CH SERIES

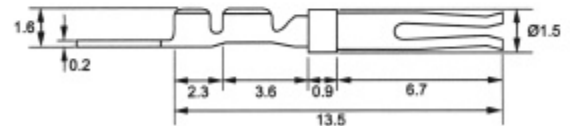
❖ Current Rating 3A
Wire range 22 to 28 AWG

Series options:

C = Clinch nuts (bottom side)
T = Threaded inserts (top side)



3778H-00P-R (Reel)
3778H-00P-L (Bulk)



3778H-00S-R (Reel)
3778H-00S-L (Bulk)

Ordering Example:

3778CH - 32P - I

Positions	A	B	C	D	E
15	16.92	24.99	30.81	16.33	19.28
26	25.25	33.32	39.10	24.66	27.51
44	38.25	47.04	53.10	37.66	41.30
62	55.42	63.50	69.32	54.84	57.71
78	52.86	61.11	66.90	52.34	55.30